

# central ELECTRONIC

MANUFACTURERS

DENVILLE NEW JERSEY

HIGH  
VACUUM  
DIODE  
TYPE  
XD-18

## NOTE

This tube now designated XD-18R

# HIGH VOLTAGE HIGH VACUUM DIODE

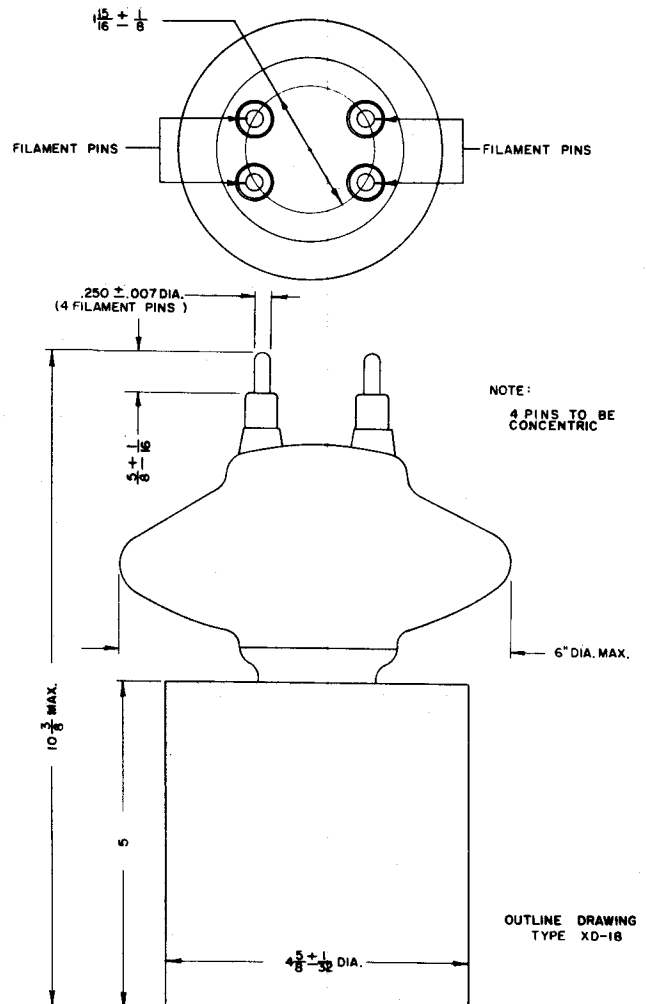
## DESCRIPTION

The Central Electronic Manufacturers tube type XD-18 is a forced-air-cooled high vacuum type diode for use in power supplies and modulators. Rugged kovar grid and filament seals insure greater protection against mechanical stress and shock.

## SPECIFICATIONS

### PHYSICAL

Overall length . . . . .  $10\frac{3}{8}$ " max.  
Overall diameter . . . . .  $4\frac{5}{8}$ " max.  
Type of cooling . . . . . Forced air  
Mounting position . . . . . Vertical  
Mounting sockets . . Central CAS-1, 4, 6  
Air flow . . . . . 300 cfm @ 2.5" back  
pressure for 13Kw dissipation



HIGH  
VACUUM  
DIODE  
TYPE  
XD-18

# central ELECTRONIC

MANUFACTURERS

DENVILLE, NEW JERSEY

## ELECTRICAL (RECTIFIER)

Filament . . . . . Thoriated Tungsten  
Filament Voltage . . . . . 10 Volts A.C.  
Filament Current . . . . . 120 Amperes  
Max. Starting Filament  
Surge Current . . . . . 250 Amperes  
Peak Inverse Voltage . . . 40,000 Volts max.  
Average Anode Current . . . . 15 Amperes  
Peak Anode Current . . . . . 50 Amperes

## ELECTRICAL (CLIPPER, SHUNT or CHARGING DIODE)

Filament Voltage . . . . . 11 Volts A.C.  
Filament Current . . . . . 125 Amperes  
RMS Anode Current . . . . . 15 Amperes  
Peak Anode Current . . . . . 300 Amperes

